

# Garriock Bros. Ltd.

**GSB**

## Grilled screening bucket

for Carriers 13 to 30 tons

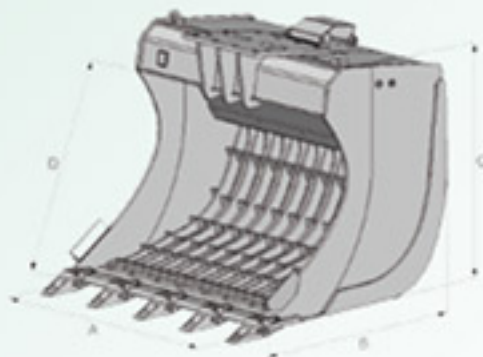
### Applications

Ideal for specialized works such as:

- Sorting demolition material for reuse in roads, trenches...
- Cleaning stony terrain.

### Features and benefits

- 3 easy interchangeable grills available (50 x 200, 28 x 100, 50 x 50 mm).
- Complete structure made in Hardox® 400, for improved durability.
- High productivity with the high speed alternate jumping movement of the grills.
- Increased durability thanks to the safety valve protecting the hydraulic circuit of the bucket (pressure and flow).
- Low level of vibration transmitted to the carrier boom.



MODEL		GSB-15	GSB-20
Excavator Weight	t	13 / 20	20 / 30
Weight	kg	1 200	1 650
A	mm	1 200	1 500
B	mm	1 290	1 410
C	mm	1 220	1 430
D	mm	1 000	1 187
Oil Flow	l/min	130	130
Pressure	bar	230	230
Capacity	l	750	1 400