

Garriock Bros. Ltd.

HSS Hydraulic steel shear for Carriers from 15 to 100 tons

Montabert® Hydraulic Steel Shears are the optimal cutting tool for your demolition, scrap processing and recycling needs. Whether you are cutting steel structures in a building or processing materials on the ground, the Montabert® Hydraulic Steel Shears combine extreme versatility, strength, efficiency and durability, making them the right attachment for the job.

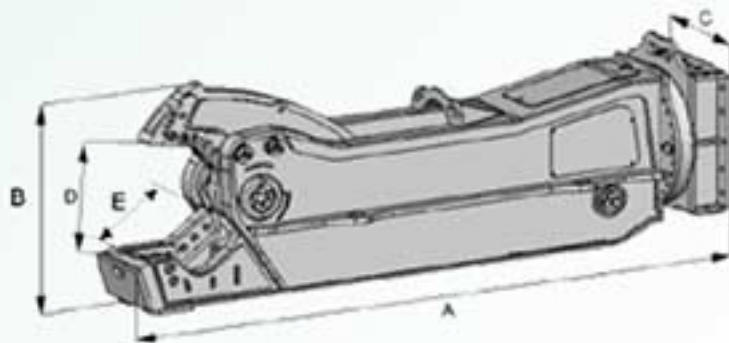
Applications

The Hydraulic Steel Shears can be used for:

- Scrap processing.
- Demolition.
- Recycling.

Features and benefits

- 360-degree hydraulic rotation allows for precise cutting at any angle.
- Main cutting blades can be rotated four times for extra long life.
- Interchangeable nose blade allows the tip of the shear to effectively pierce material and hold it in place while cutting.
- Complete structure is made of Hardox® 400 steel providing extreme durability and strength.
- Strong cutting force works to accurately cut your toughest materials.
- Deep and wide jaw opening helps cut larger materials and increase productivity.
- Hydraulic speed valve generates a shorter work cycle.



MODEL		HSS-15	HSS-20	HSS-30	HSS-40	HSS-55	HSS-70
Excavator Weight (Arm mounted)	t	15 / 23	21 / 30	28 / 35	44 / 50	50 / 60	75 / 100
Weight	kg	1 650	2230	2990	4 440	5 600	7 650
A	mm	2 627	2 870	3 265	4 010	4 465	4 930
B	mm	870	925	1 062	1 240	1 470	1 640
C	mm	650 x 680	650 x 680	650 x 680	720 x 800	720 x 800	900 x 1 000
D	mm	415	460	580	690	840	880
E	mm	329	363	463	556	712	786
Rotation Flow	l/min	30	40	50	50	50	50
Rotation Pressure	bar	120	120	120	120	120	120
Open/Close Flow	l/min	150/250	200/300	280/350	350/500	400/600	500/800
Open/Close Pressure	bar	350	350	350	350	350	350
Rotation		360°	360°	360°	360°	360°	360°
	mm	50	60	70	85	110	130
	mm	240	300	420	480	540	620
	mm	160	200	260	320	360	420